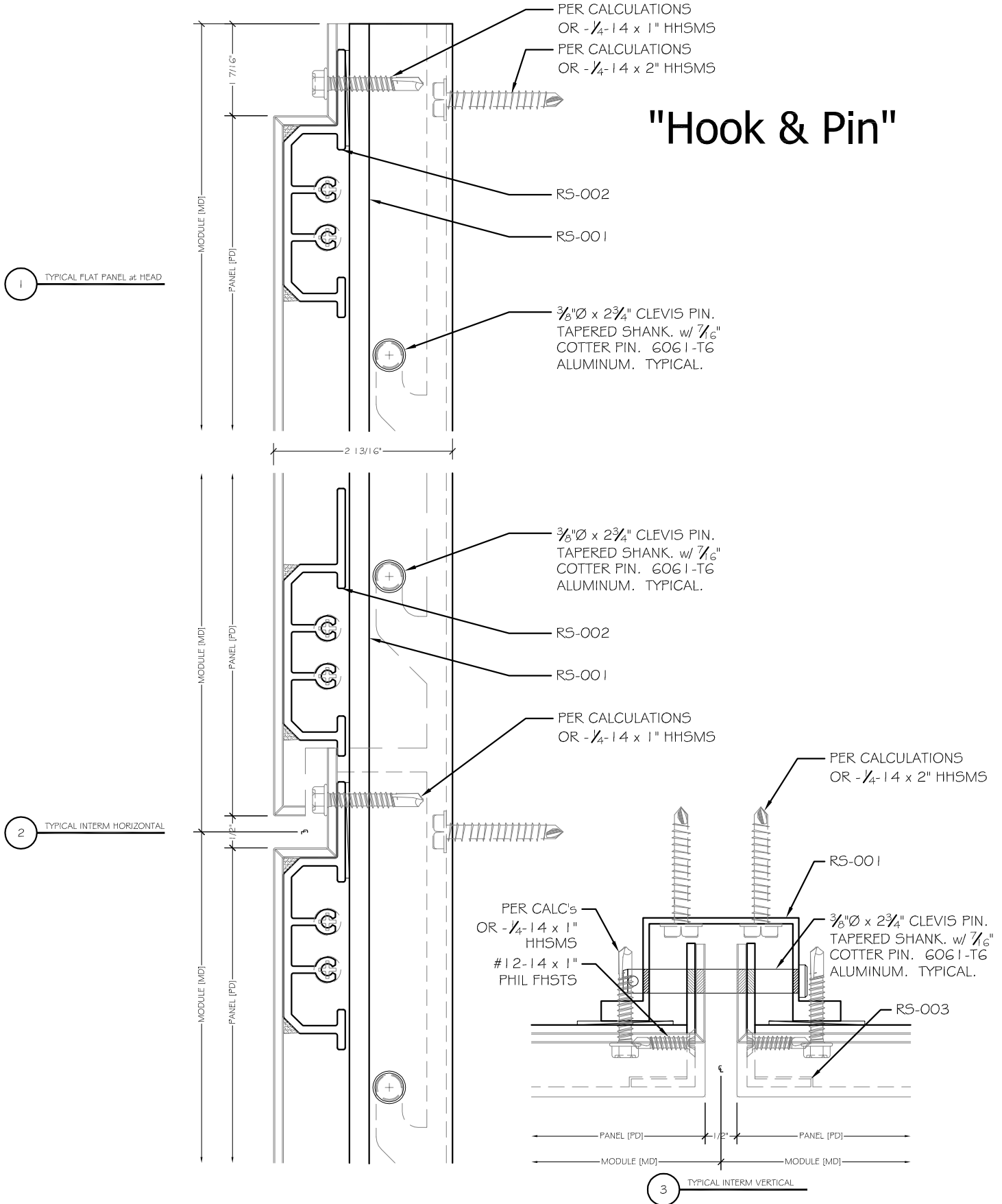
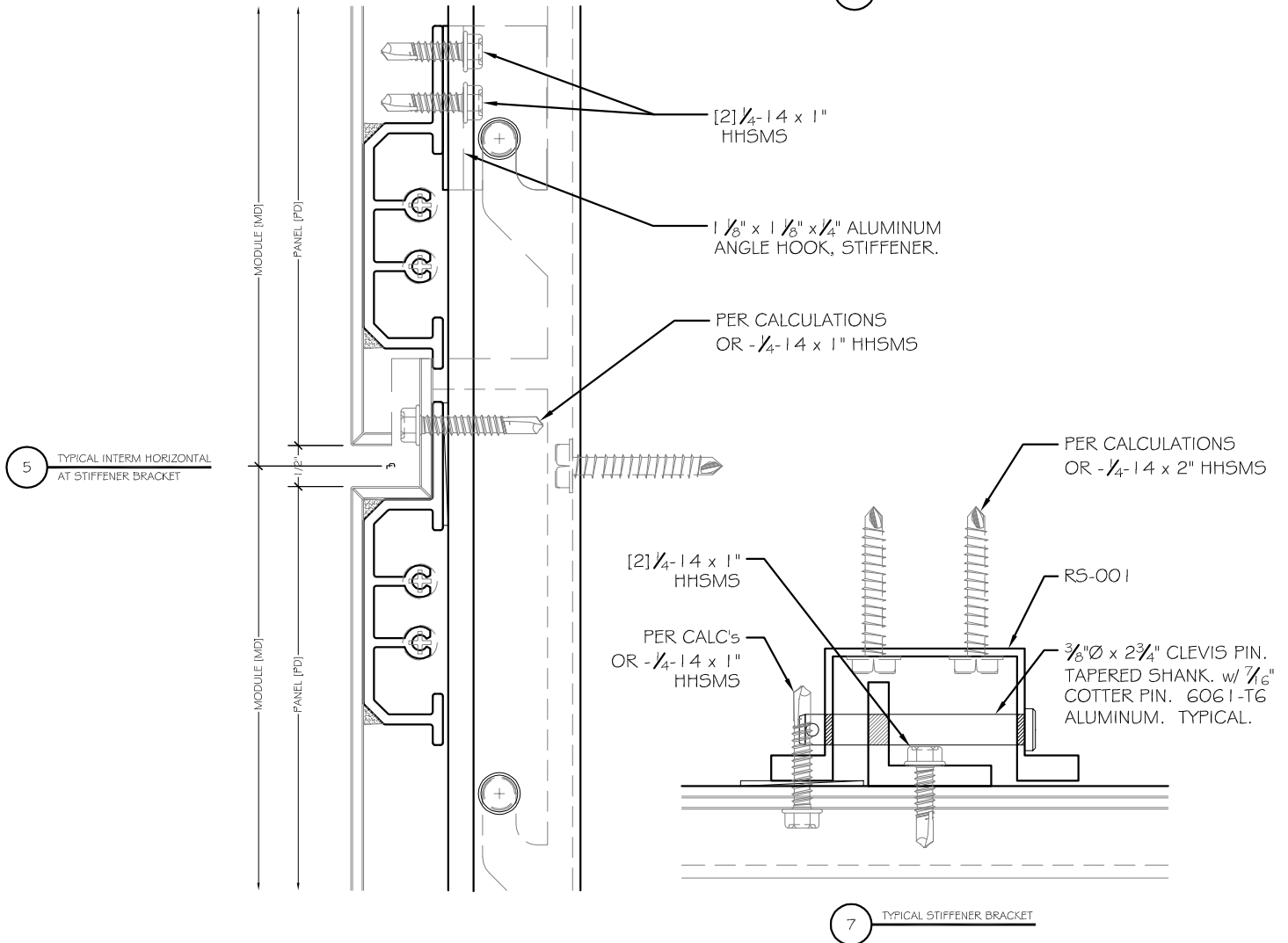
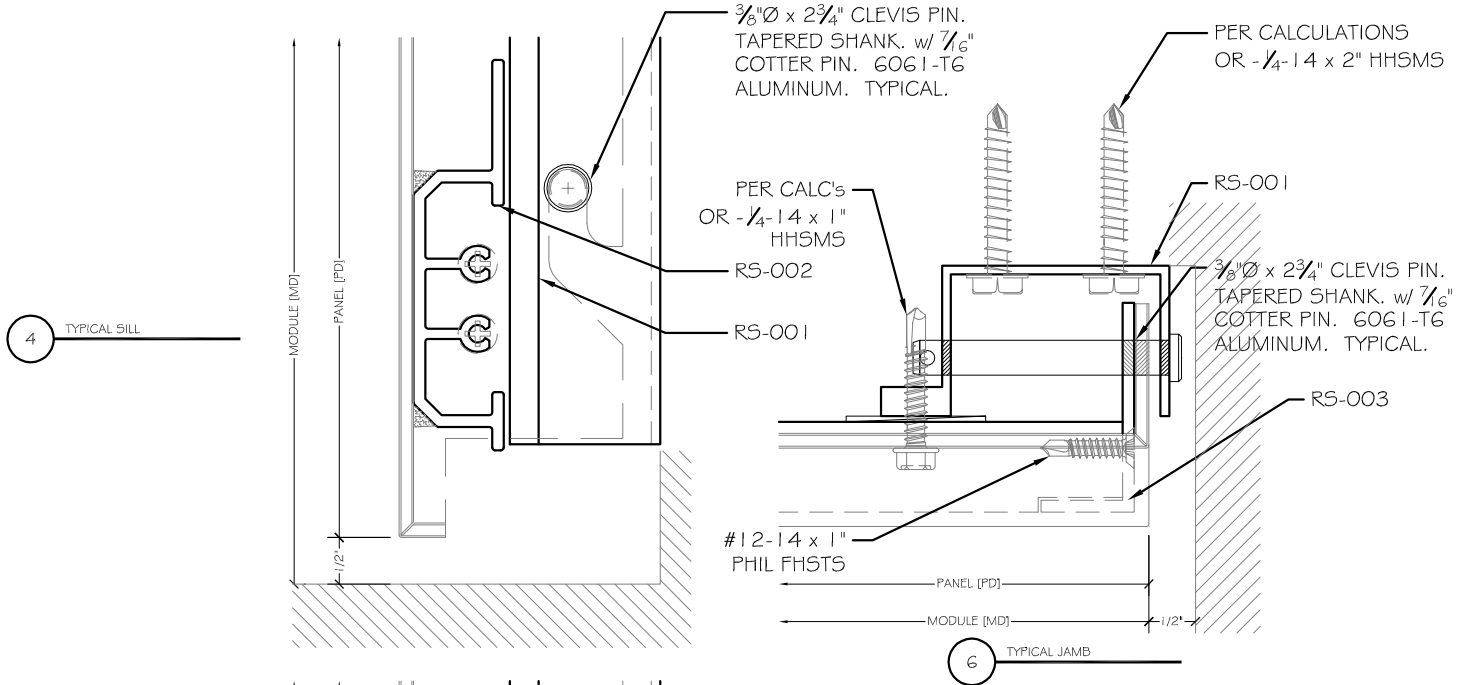


# CPS-12000 ACM PANEL SYSTEM

## "Hook & Pin"

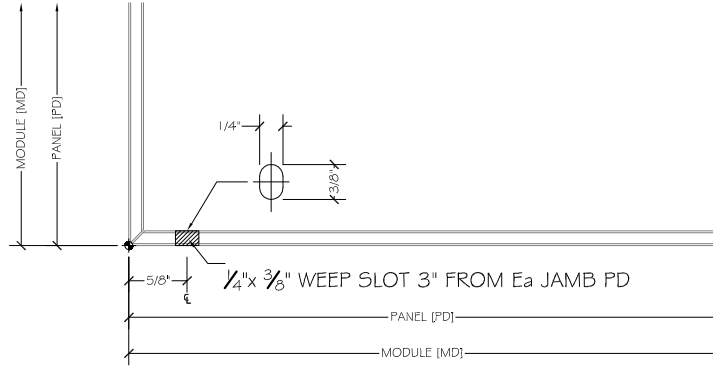


# CPS-12000 ACM PANEL SYSTEM



# CPS-12000 ACM PANEL SYSTEM

8 TYP. SOFFIT OUTSIDE CORNER





# CPS-12000 ACM PANEL SYSTEM

## “HOOK & PIN”

### System Features:

- Drained / Back Ventilated (DBV) Rainscreen Cladding System
- Open joint system.
- Deep profile system – 2-13/16” Deep (without shims).
- Allows the use of 4mm or 6mm ACM panel stock.
- Panel to panel joint width, 1/2” standard.
- Integral continuous mounting extrusions – Factory installed.
- Tested system:
  - Air Infiltration per ASTM E 283 – 0.07 CFM / Ft<sup>2</sup>
  - Water Resistance (Static) per ASTM E 331 – 15 PSF
  - Water Resistance (Dynamic) per AAMA501.1 – 12 PSF
  - Structural Load per ASTM E 330 – Positive and Negative 30 PSF
- Manufactured with in-excess of five [5] years experience in this type of panel system.
- Made in the USA.
- Polyethylene (PE) and Fire Rated (FR) cores available.

### System Benefits:

- System utilizes ACM from Alpolic, or Reynobond.
- Large and varied selection of colors and finishes.
- LEED®:
  - Extrusion material contains approximately 45% recycled content.
  - ACM LEED® credits available: from recyclable material to the type of finish.

### System Notes:

- Horizontal strap anchors required for vertical anchorage.
- Sequential vertical panel installation.
- W.R.B. required as an essential part of the overall system.

November 7, 2011

California Panel Systems, LP

1020 North Marshall Avenue • El Cajon • CA • 92020 • Voice: 619.956.0866 • Fax: 619.956.0855

[www.calpanelsystems.com](http://www.calpanelsystems.com)

aluminum composite panels      aluminum plate panels  
sunshades      Trespa panels      column covers

